



# Football/Soccer Challenge™ Assembly Guide

Bob's Space Racers® Inc. © 2018  
427 Whac-A-Mole Way,  
Holly Hill, Florida 32117  
Phone - (386) 677-0761  
Fax - (386) 677-0794  
E-mail: tech@bobsspacracers.com

## 1. Introduction

1.1 BSR has simplified assembling the Football or Soccer Challenge™ by numbering the posts and sticking with only four types of hardware. On the pages below is a section breakdown. The Goalie and Goal Cage must be assembled first. Next, assembling the playfield. Lastly, put on the nets.

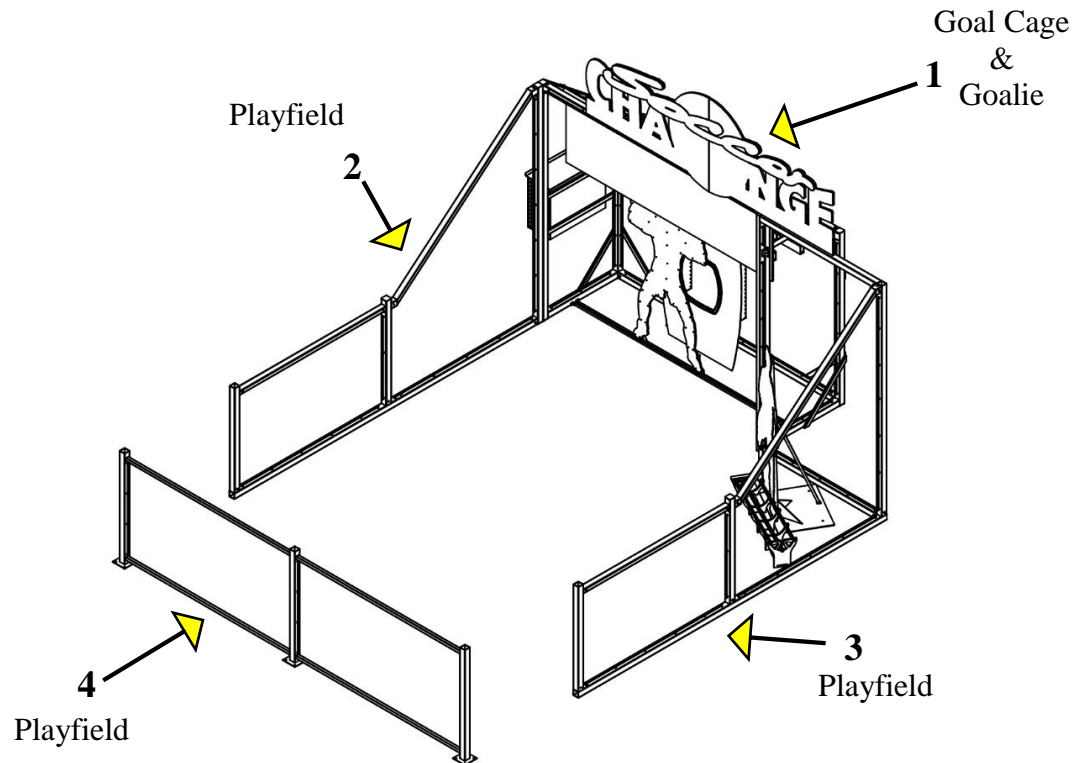


Figure 1.1

## 2. Assemble First

### 2.1 Goalie Cage

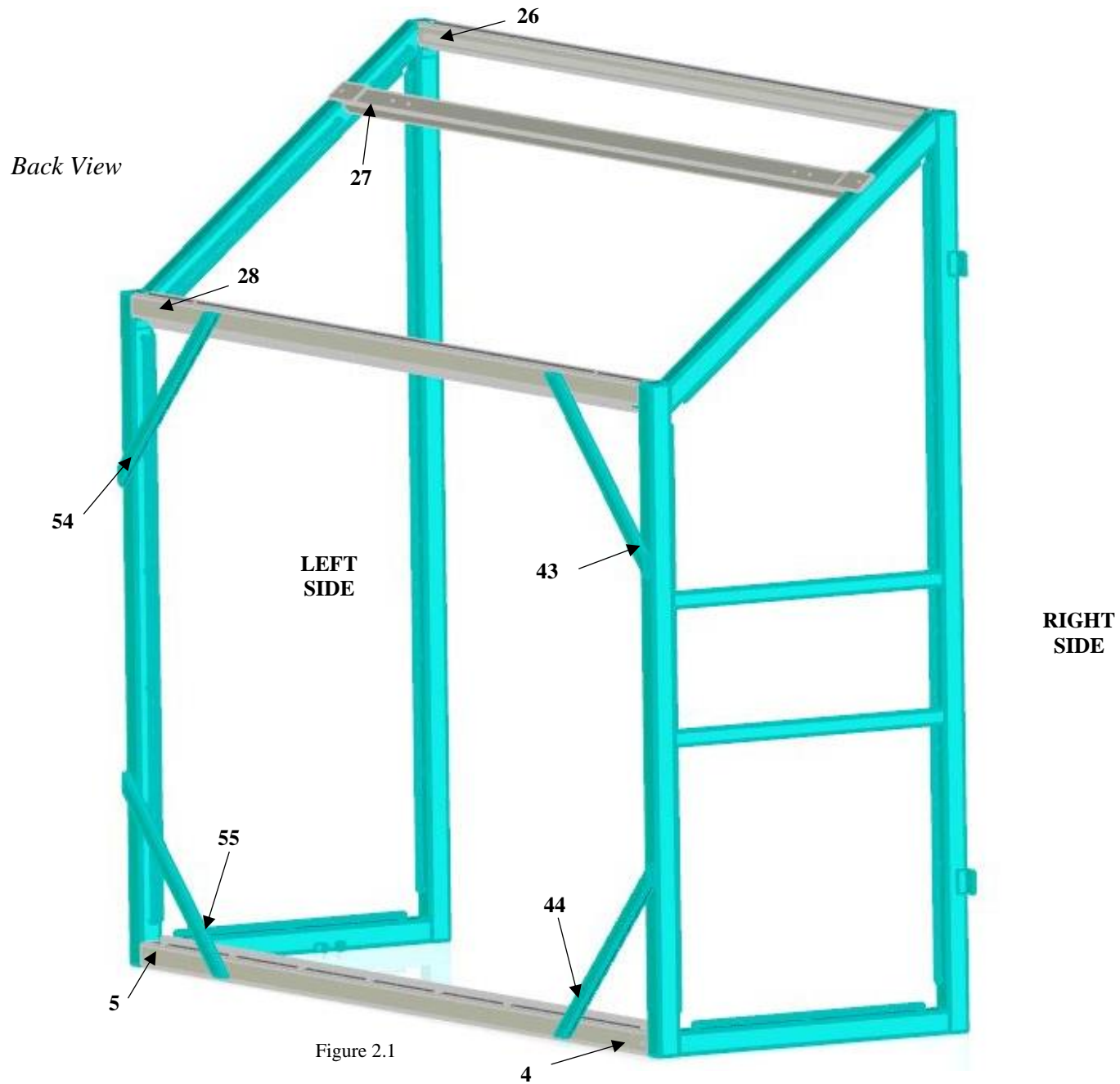
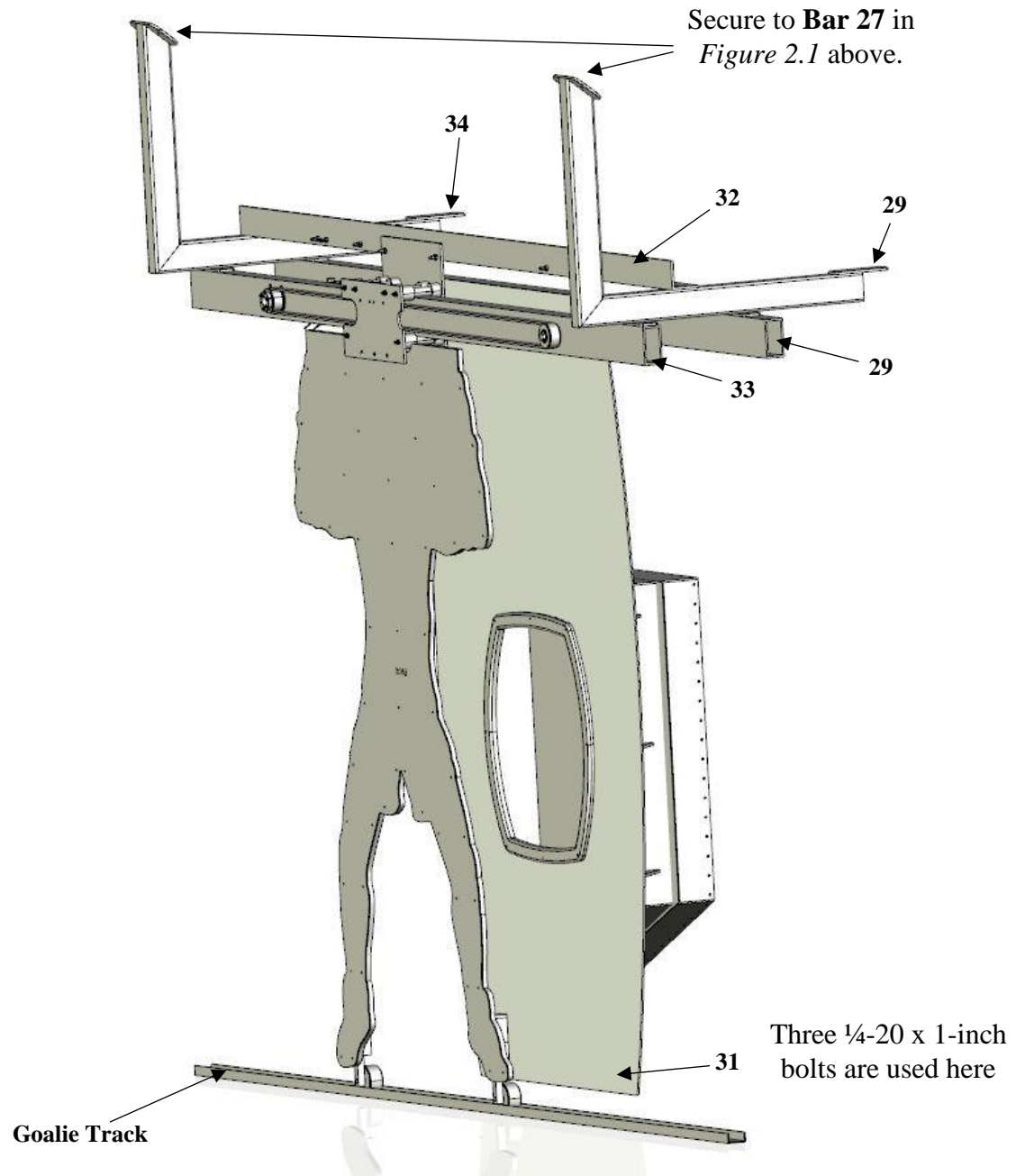


Figure 2.1

## 2.2 Goalie

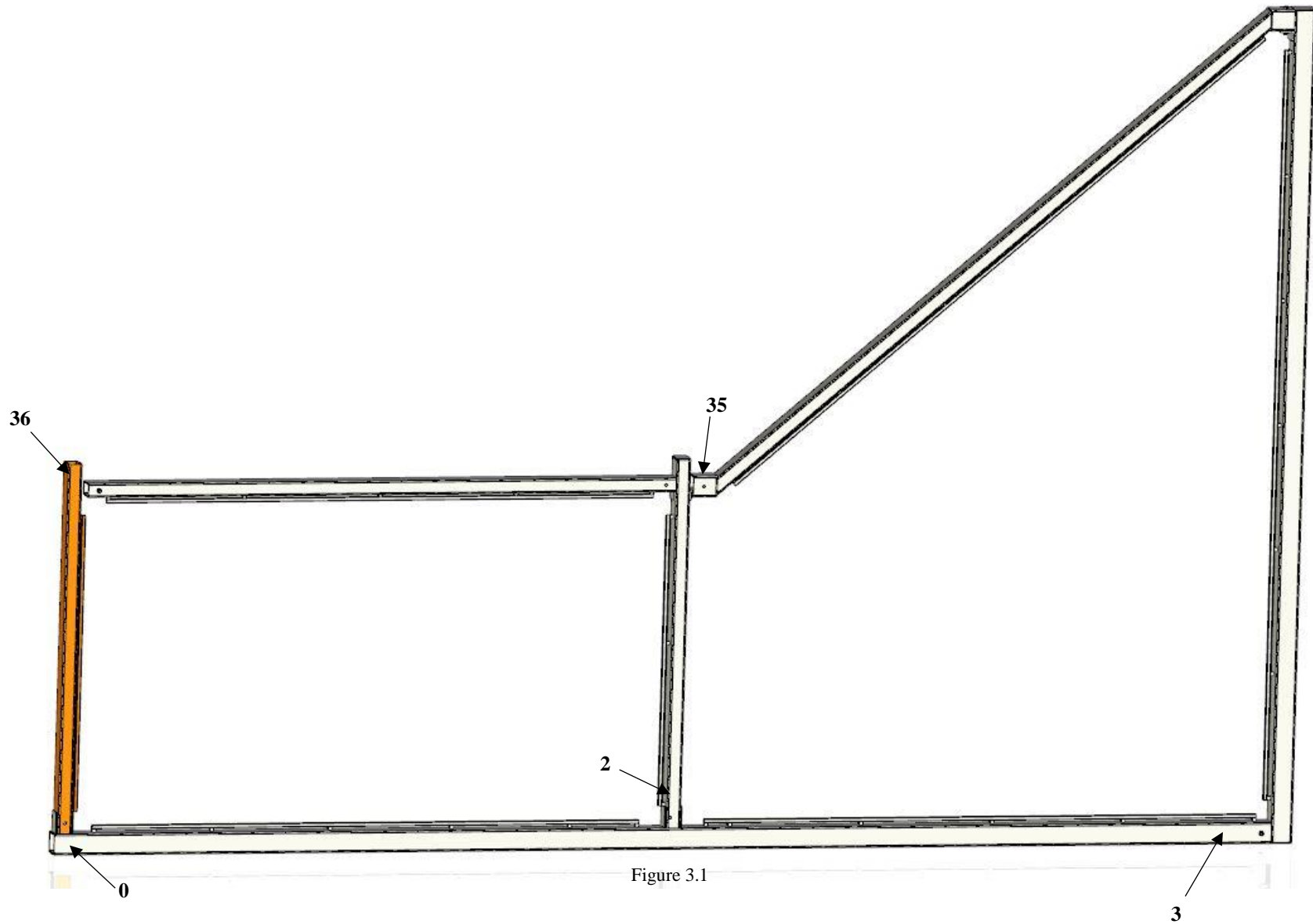


3

Figure 2.2

### 3. Playfield

#### 3.1 Right Side



### 3.2 Left Side

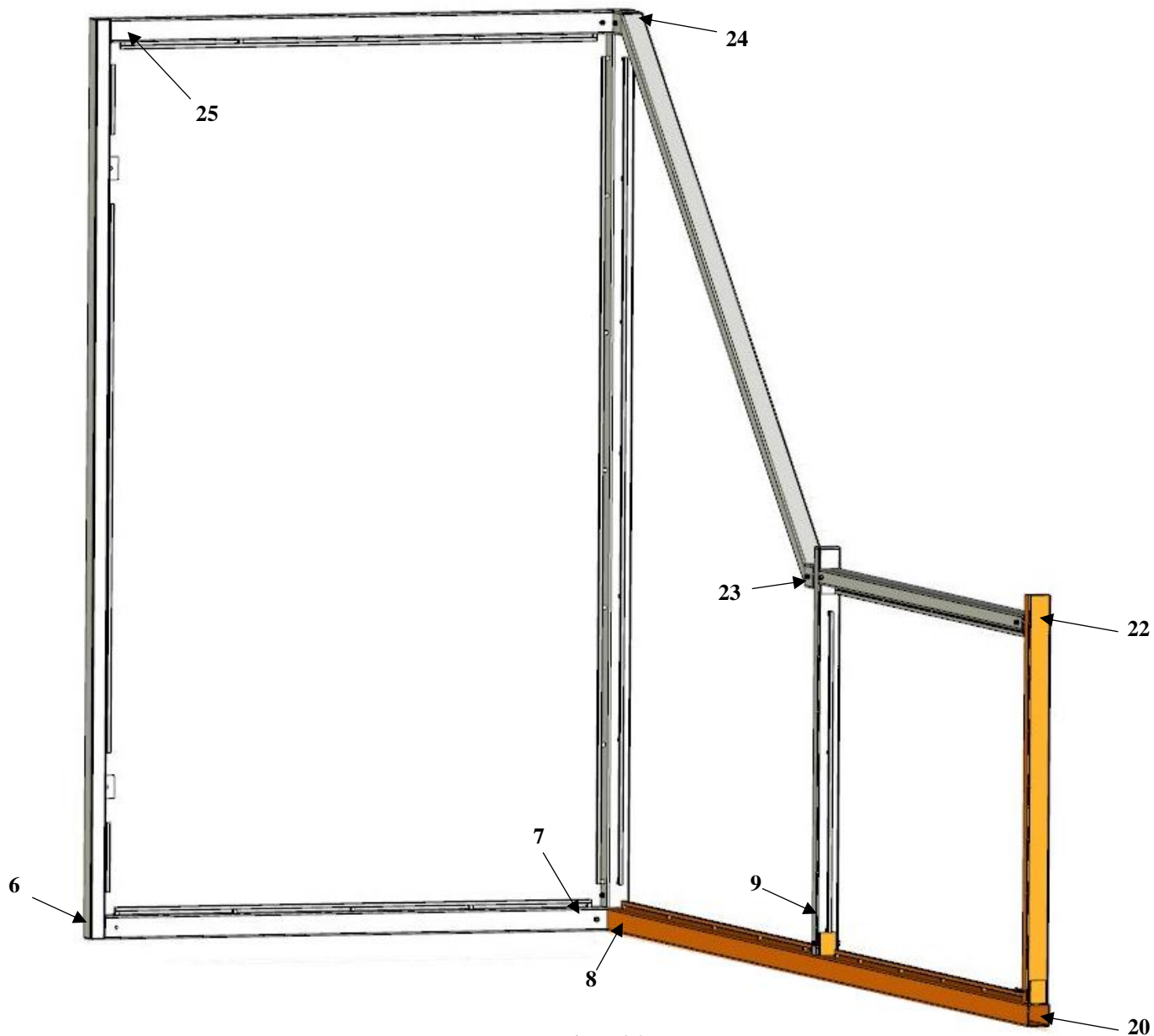


Figure 3.2

### 3.3 Front Goal Posts Come Pre-Assembled

*Note: These nets are pre-installed*

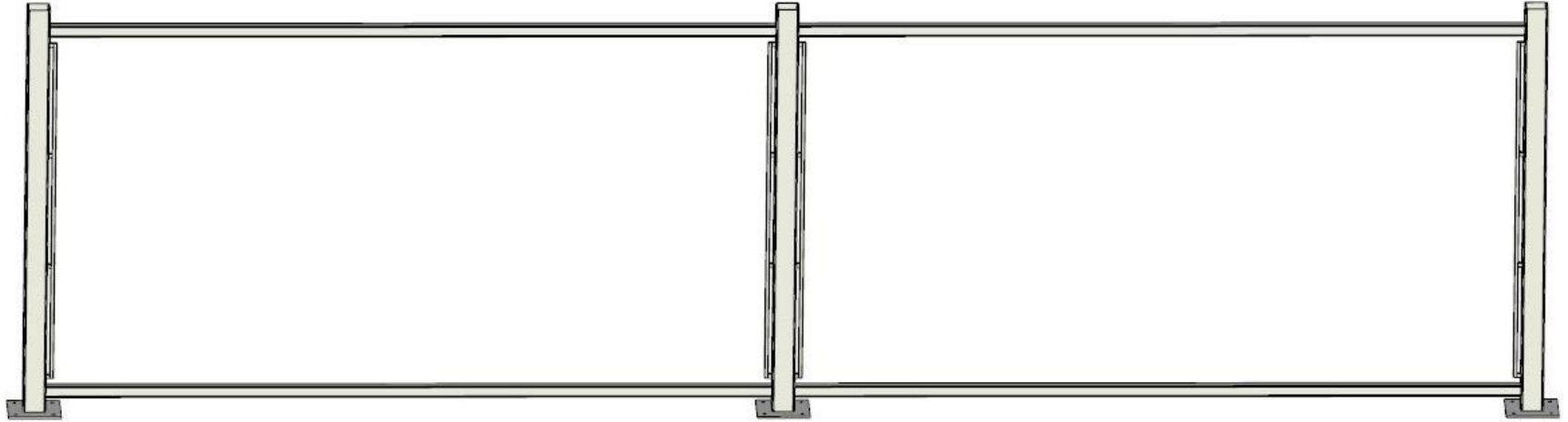


Figure 3.3

## 4. Net Installation Location Chart.

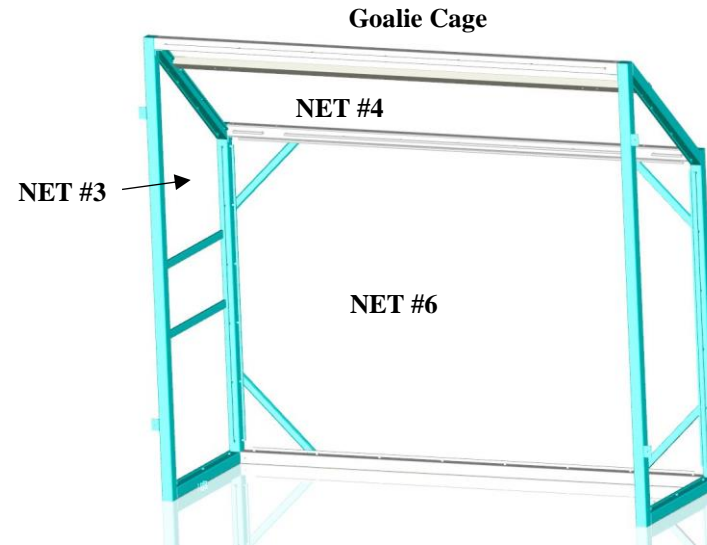


Figure 4.1

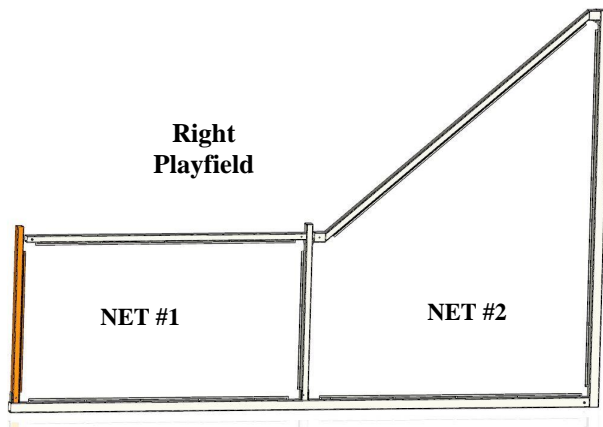


Figure 4.2

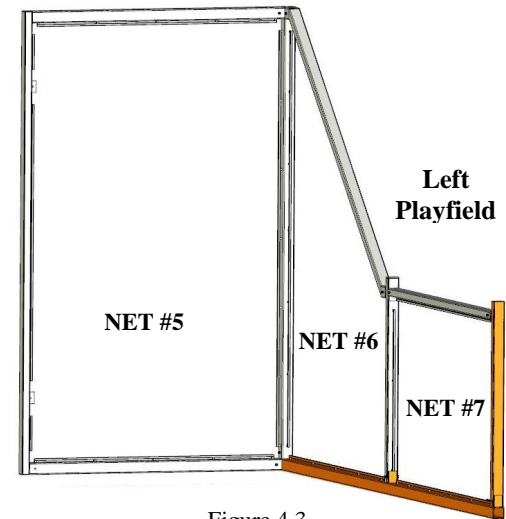


Figure 4.3

## 5. Control Box Installation.

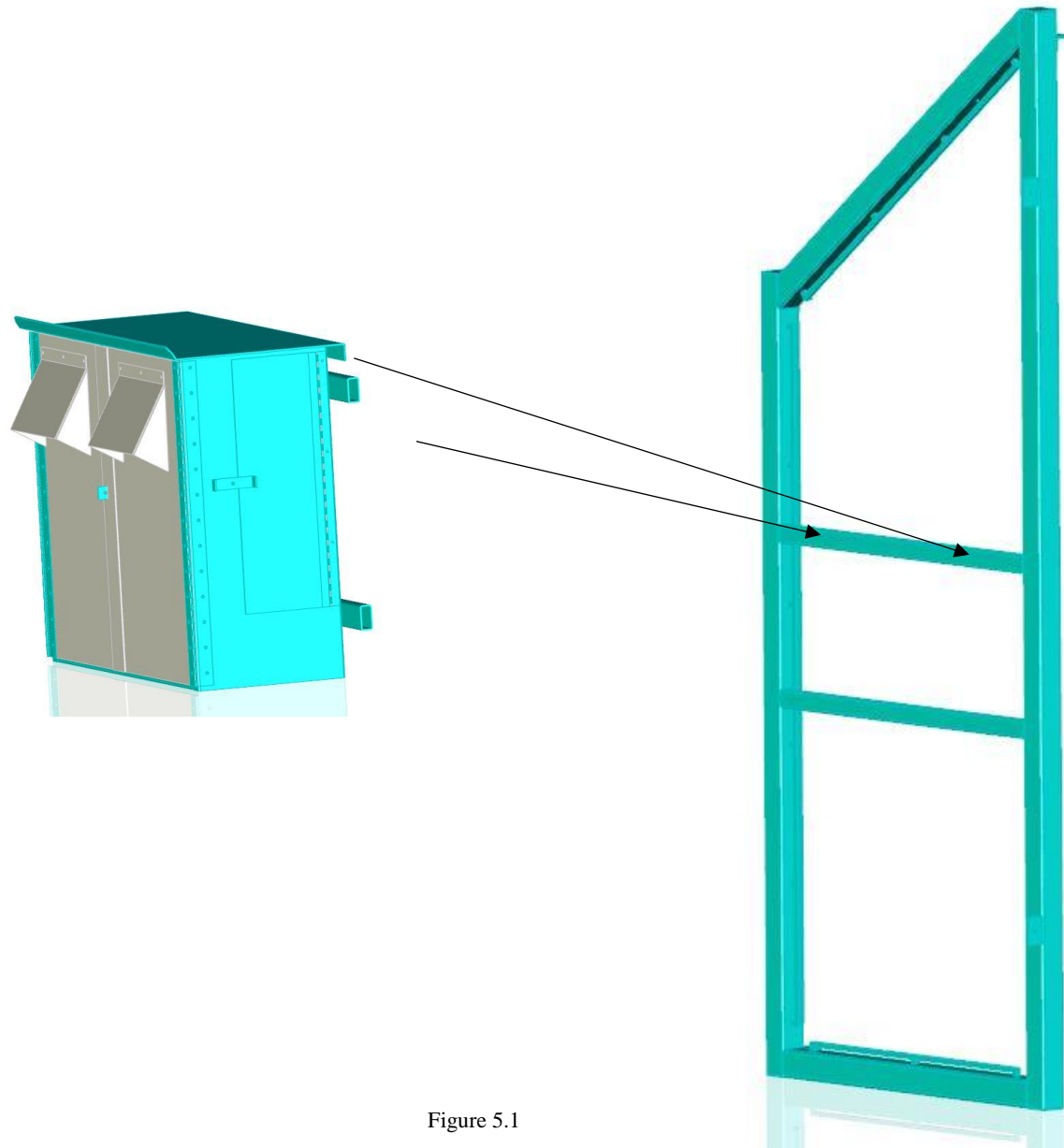


Figure 5.1



## 6. Each Number Corresponds to a Bolt Listed Below in the Chart

*Note: Each Bolt will have two washers and a nut when assembling.*

BOLTS	3/8" X 3 1/2"	3/8" X 4 1/2"	3/8" X 5 1/2"	1/4-20 X 1"
0	3	30	31	
2	7	33		
4	8			
9	23			
20	24			
22	25			
29	26			
34	27			
36	28			
	32			
	35			
	43			
	44			
	54			
	55			



Table 6.1

Revision	Date of Revision	Description of Revision	Approved by
A	October 16, 2017	1.0	