

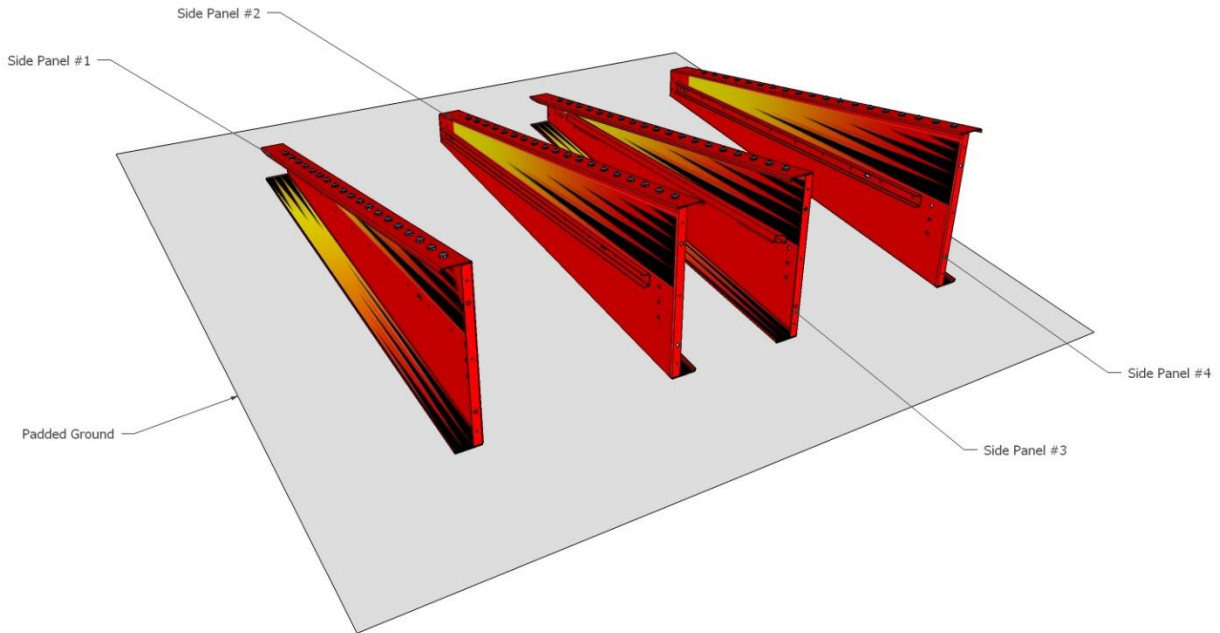


Hang Time™ Installation Manual

01AUG19

WARNING

READ ALL STEPS TO THIS INSTALLATION PROCEDURE MANUAL BEFORE BEGINNING THE INSTALLATION OF THE HANG TIME GAME.

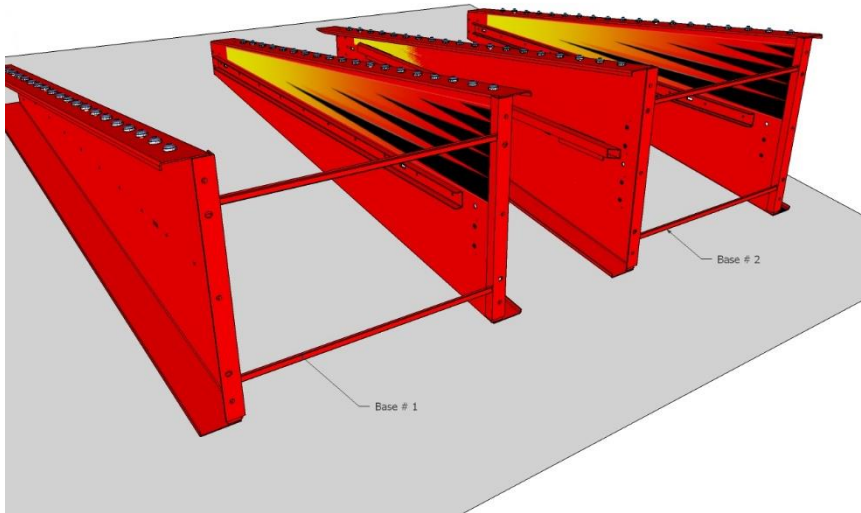


1. The Hang Time game will come on a single pallet.
2. It is highly recommended to remove the pieces one by one and place them on a padded area to keep from scratching any of the painted surfaces.
3. Lay the large side panels out as pictured above on a padded surface like packing blankets or cardboard.
 - a. Each panel is marked with a number #1-4 on the front-bottom inside surface.
 - b. Line the panels up in numerical order left to right.
 - c. If the panels have lights, ensure the lights are all face up.

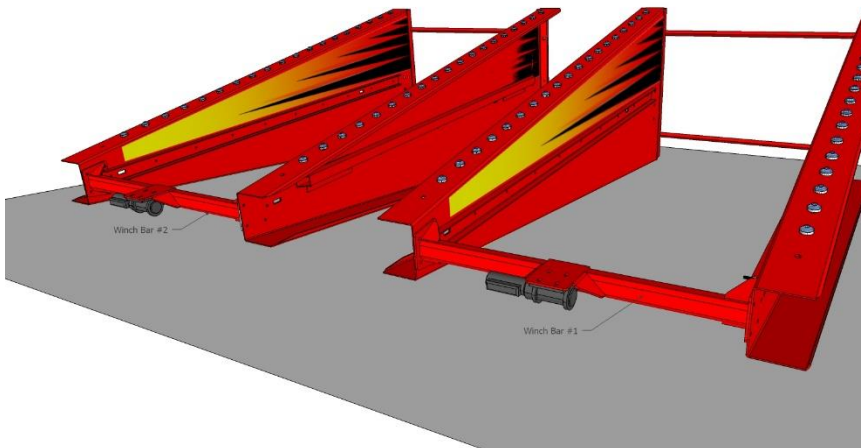
Locate the hardware box with the game.

- The Hardware Box will contain all hardware needed to assemble the game.
- The Hardware Box will also contain a supply of heatproof grease.
- **VERY IMPORTANT** – Since all hardware consists of stainless steel nuts and bolts, use the heatproof grease to generously lubricate all nuts and bolts before assembly in order to prevent the nuts and bolts from seizing up when tightening down.

Hang Time Installation Procedure



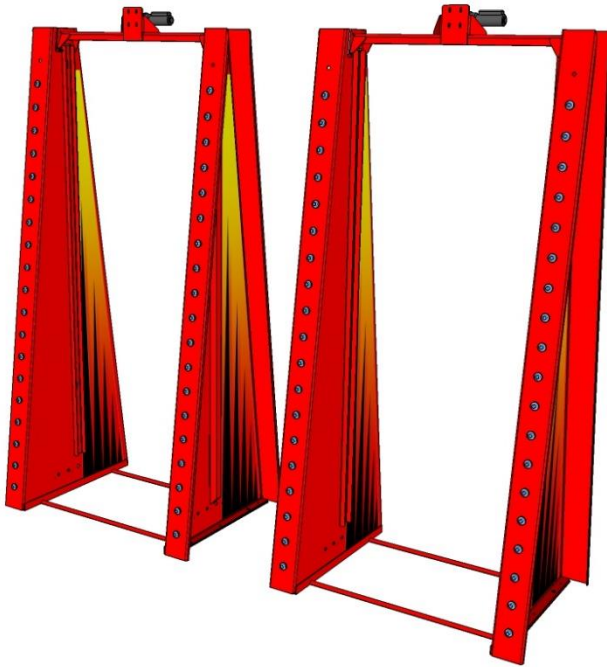
4. While the units are laying down, attach the bases to each unit. The bases will have numbers to correlate with the panel numbers. Ensure that all numbers match number to number for proper assembly.



5. While the units are laying down, attach the winch bars to each unit. The winch bars will have numbers to correlate with the panel numbers. Ensure that all numbers match number to number for proper assembly.



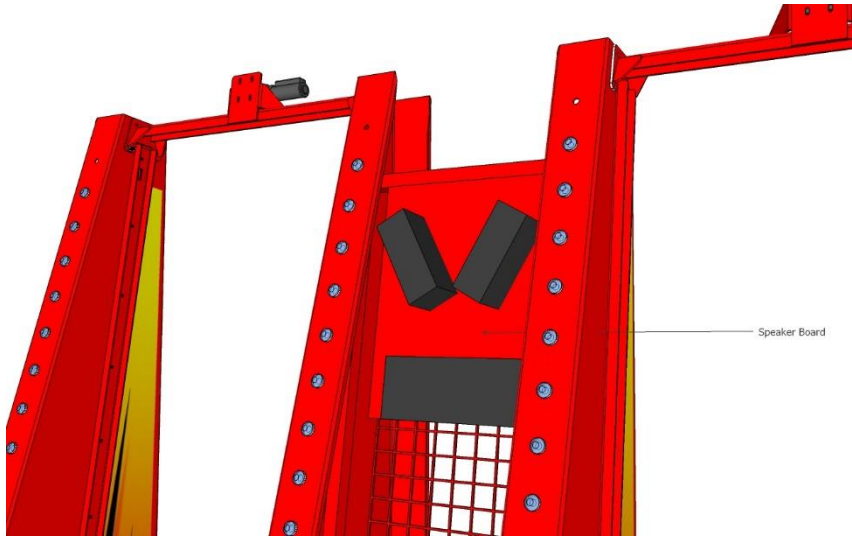
Hang Time Installation Procedure



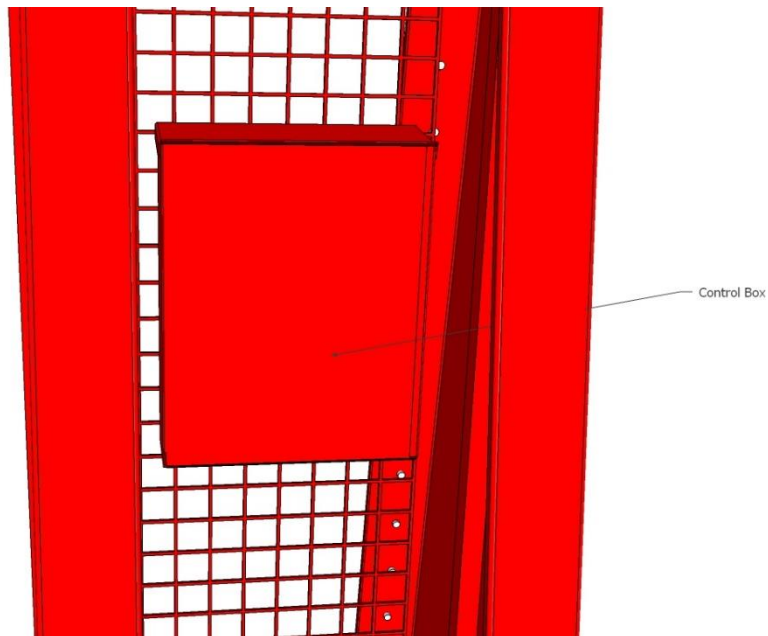
6. Stand both units up.
 - a. Ensure there is ample room on both sides of the game, above the game, and on the area where they will be standing in order to stand the units up.
 - b. Due to the weight of the units, exercise extreme caution when standing each unit upright. Make sure that installation personnel are not in the area of the upright area.



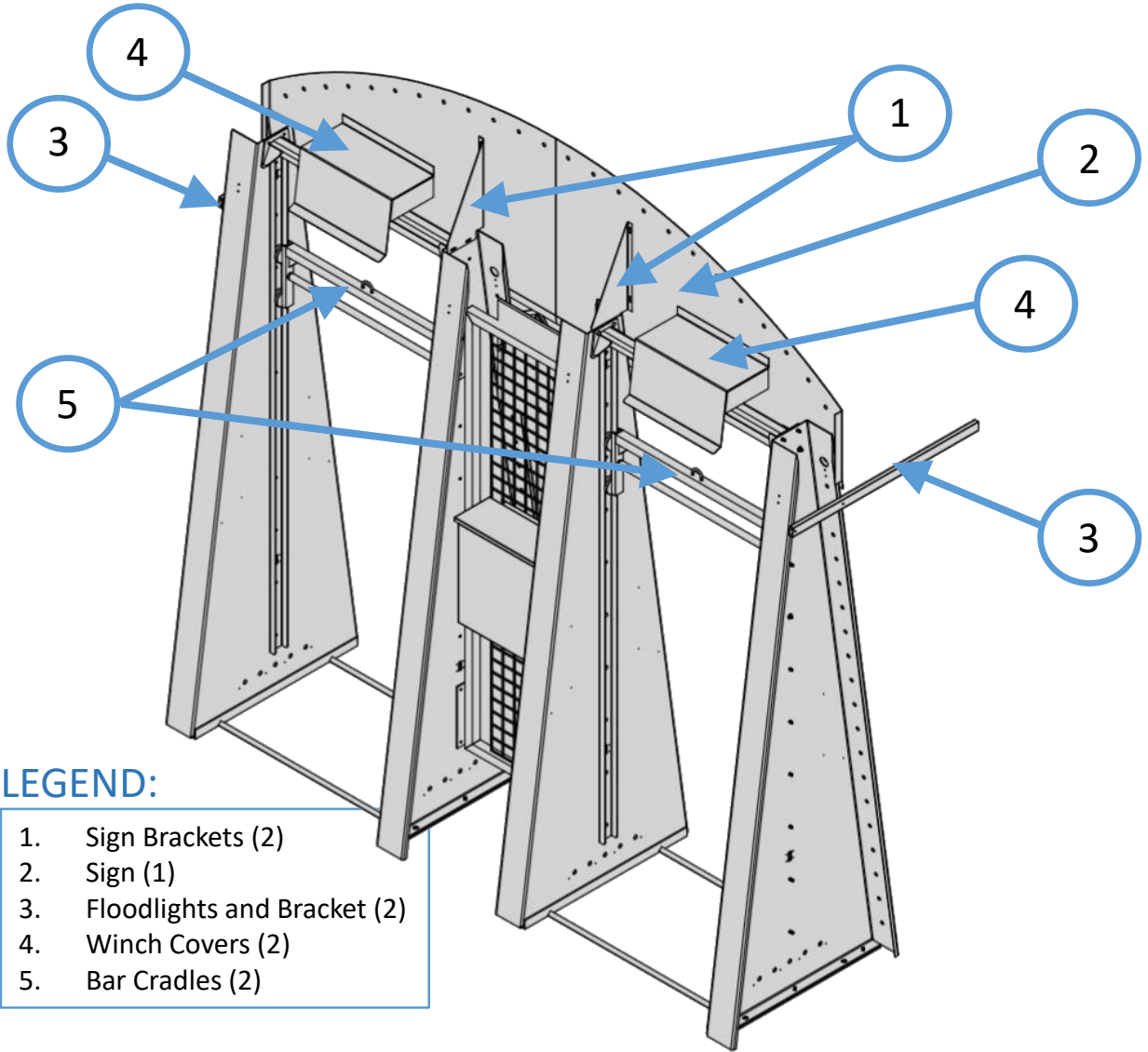
7. Attach the grid panel between each unit.
 - a. The grid panel will have numbers to correlate with the panel numbers. Ensure that all numbers match number to number for proper assembly.



8. Attach the speaker panel onto the front of the grid wall. The speaker panel will have hooks on the backside that allow it to be hung directly on the grid. Run all electrical wiring out the backside and through the grid.



9. Attach the control box onto the back of the grid wall. The control box will have hooks on the backside that allow it to be hung directly on the grid.



LEGEND:

- 1. Sign Brackets (2)
- 2. Sign (1)
- 3. Floodlights and Bracket (2)
- 4. Winch Covers (2)
- 5. Bar Cradles (2)

10. Install both Sign Brackets to top of Sign Panels #2 and #3
11. Install Sign
12. Install Floodlights and Brackets to the outside panels. The floodlights will face the sign.
13. Run all electrical wiring from the top sign and floodlights to the center of the game and down the wiring channels to either the electrical outlets or control box. The hardware kit comes with sticky tie down tabs and zip ties to help with running the wiring. Apply as needed to keep a clean wiring appearance.
14. Install Winch Covers.
15. Slide the bar cradles up through the bottom of the cradle guides and attach to the winch cord.

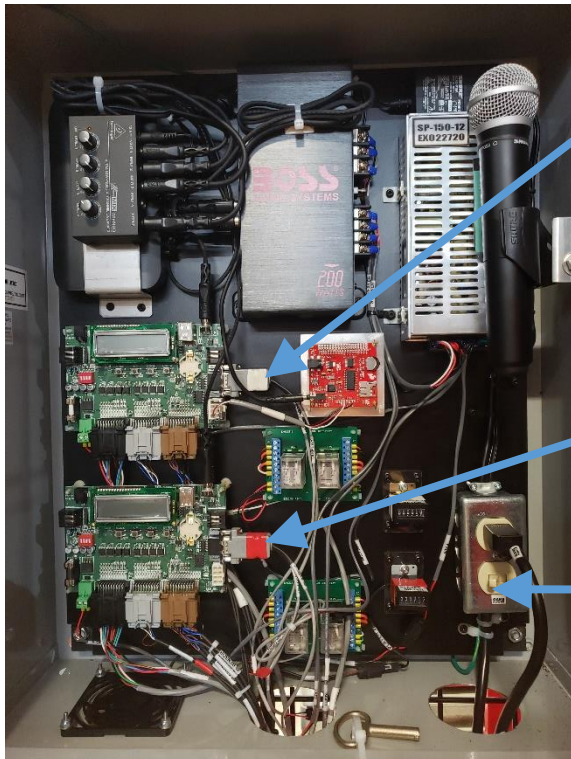


Hang Time Installation Procedure

Electrical Connections:

Note: All connections are specifically labeled with text or color coded.

16. Since all connections are labeled on both sides, simply match all wires and connect.
17. Most Electronic Plugs will be run in and through the ports located at the bottom of the CONTROL BOX.
18. All Electrical Plugs will be run to the electrical panel located on inside of SIDE PANEL # 2.
19. Neatly dress all wiring from the various components to either the electrical box or electronic control box.
20. Double-check for any loose plugs or connections. All plugs should be connected to a mating connector.
21. Once all connections are made, plug in the game power to an outside power source.
22. Turn on game power. The game should be ready for game play.
23. Refer to Operator's Manual for various programming options.
- 24. If you have any problems with this installation or if you have any questions with making connections – contact Bob's Space Racers Tech Department at 386-677-0762 and ask for the Tech Department.**



Player #1 2600 Electronic Control Board

- All Player #1 Connections have a WHITE sticker designation as pictured.

Player #2 2600 Electronic Control Board

- All Player #2 Connections have a RED sticker designation as pictured.

Game Power Switch